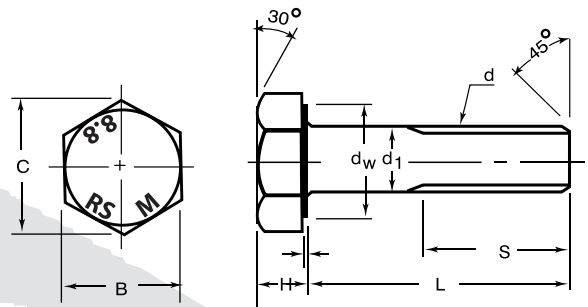




HEXAGON HEAD BOLT

**ROCKSIDE
EXPORT LIMITED**

Standard Specification : BS 3692
 Also Conforms to ISO 4014, DIN 931 / 933
 Material : High Tensile Steel
 Mechanical Properties : BS 3692 / ISO 898
 Strength Grade : 8.8, 10.9
 Screw Thread : 6g of ISO 965 / 2
 Surface Finish : Black, Electro Galvanized,
 Hot Dipped Galvanized



DIMENSIONS

NOM SIZE d X p	d1		H		B		C		S		
	Max	Min	Max	Min	Max	Min	Max	Min	<= 125	>125<=200	>200
M6 X 1	6.0	5.82	4.150	3.850	10.0	9.78	11.5	11.05	18		
M8 X 1.25	8.0	5.82	5.650	5.350	13.0	12.73	15	14.38	22		
M10 X 1.5	10.0	9.78	7.180	6.820	17.0	16.73	19.6	18.9	26	32	
M12 X 1.75	12.0	11.73	8.180	7.820	19.0	18.67	21.9	21.1	30	36	49
M14 X 2	14.0	13.73	9.180	8.820	22.0	21.67	25.4	24.49	34	40	53
M16 X 2	16.0	15.73	10.180	9.820	24.0	23.67	27.7	26.75	38	44	57
M18 X 2.5	18.0	17.73	12.215	11.785	27.0	26.67	31.2	30.14	42	48	61
M20 X 2.5	20.0	19.67	13.215	12.785	30.0	29.67	34.6	33.53	46	52	65
M22 X 2.5	22.0	21.67	14.215	13.785	32.0	31.61	36.9	35.72	50	56	69
M24 X 3	24.0	23.67	15.215	14.785	36.0	35.38	41.6	39.98	54	60	73
M27 X 3	27.0	26.67	17.215	16.785	41.0	40.38	47.3	45.63	60	66	79
M30 X 3.5	30.0	29.67	19.260	18.740	46.0	45.38	53.1	51.28	66	72	85
M33 X 3.5	33.0	32.61	21.260	20.740	50.0	49.38	57.7	55.8	72	78	91
M36 X 4	36.0	35.61	23.260	22.740	55.0	54.26	63.5	61.31	78	84	97
M39 X 4	39.0	38.61	25.260	24.740	60.0	59.26	69.3	66.96	84	90	103
M42 X 4	42.0	41.61	26.260	25.740	65.0	64.26	75.1	72.61	90	96	109
M45 X 4.5	45.0	44.61	28.260	27.740	70.0	69.26	80.8	78.26	96	102	115
M48 X 5	48.0	47.61	30.260	29.740	75.0	74.26	86.6	83.91	102	108	121
M52 X 5	52.0	51.54	33.210	32.690	80.0	79.26	92.4	89.56	110	116	129
M56 X 5.5	56.0	55.54	35.310	34.690	85.0	84.13	98.1	95.07	118	124	137
M60 X 5.5	60.0	59.64	38.310	37.690	90.0	89.13	103.9	100.72	126	132	145
M64 X 6	64.0	63.54	40.310	39.690	95.0	94.13	109.7	106.37	134	140	153
M68 X 6	68.0	67.54	43.310	42.690	100.0	99.13	115.5	112.02	142	148	161

PRODUCT RANGE

NOM SIZE d X p	Nominal length 1 mm																																			
	10	15	20	25	30	35	40	45	50	55	60	65	70	75	80	90	100	110	120	130	140	150	160	170	180	190	200	220	240	260	280	300				
M6 X 1																																				
M8 X 1.25																																				
M10 X 1.5																																				
M12 X 1.75																																				
M14 X 2																																				
M16 X 2																																				
M18 X 2.5																																				
M20 X 2.5																																				
M22 X 2.5																																				
M24 X 3																																				
M27 X 3																																				
M30 X 3.5																																				
M33 X 3.5																																				
M36 X 4																																				
M39 X 4																																				
M42 X 4																																				
M45 X 4.5																																				
M48 X 5																																				

FULLY THREADED

STANDARD THREADED

While every care has been taken in the preparation of the information in this catalogue, the company accepts no liability for any loss or damage either direct or consequential arising out of use this catalogue. This compilation is for reference only, for detail refer relevant Original Standards Manuals.