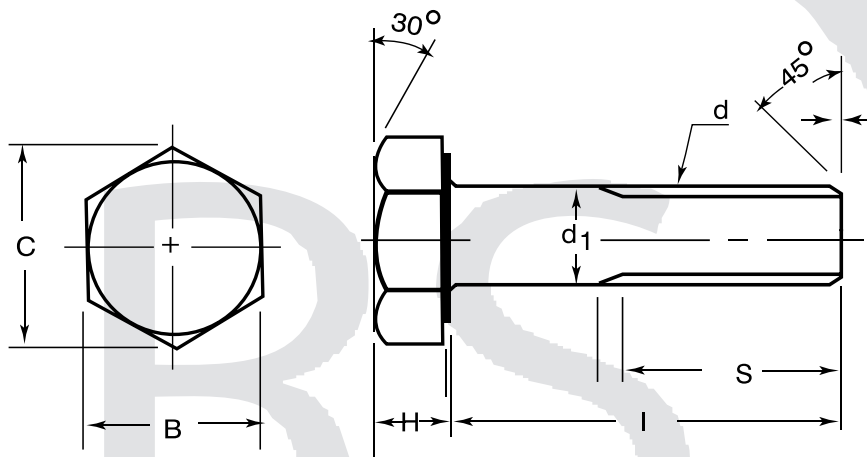
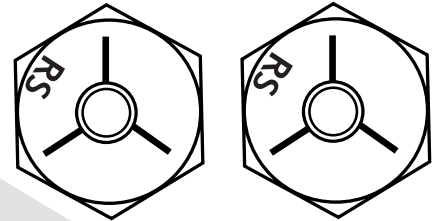




HEXAGON BOLT - UNC / UNF

ROCKSIDE
EXPORT LIMITED

Standard Specification : ANSI / ASME B 18.2.1 1981
Material : Medium Carbon Steel
Mechanical Properties : ISO R898/1 | SAE
Strength Grade : 8.8 | 5
ScrewThreads : ANSI / ASME B 1.1 1982 UNC, UNF
Class of Threads : Class 2 A
Surface Finish : Black, Electro Galvanized,
Hot Dipped Galvanized



PRODUCT RANGE

NOM SIZE d X p	Nominal length l mm																				
	1/2	3/4	1	1-1/4	1-1/2	2	2-1/2	3	3-1/2	4	4-1/2	5	5-1/2	6	6-1/2	7	8	9	10	11	12
1/4																					
5/16																					
3/8																					
7/16																					
1/2																					
9/16																					
5/8																					
3/4																					
7/8																					
1																					
1-1/8																					
1-1/4																					
1-1/2																					

FULLY THREADED

STANDARD THREADED