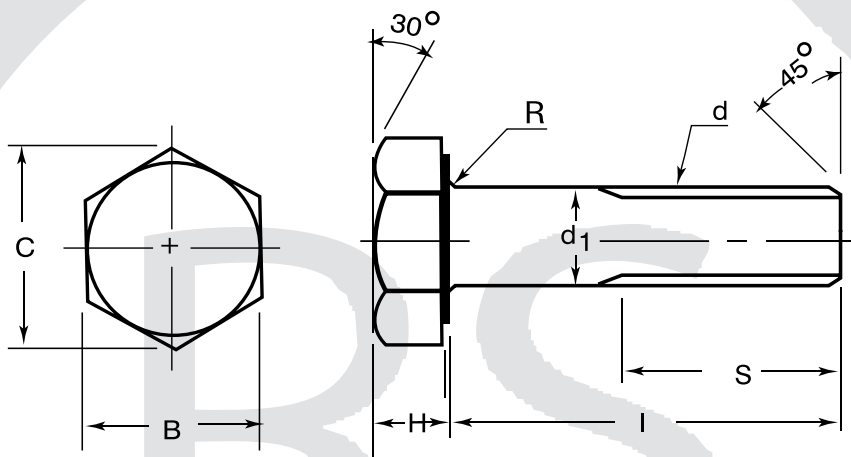
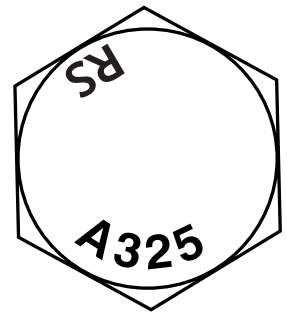




HEAVY HEXAGON BOLT-A325

ROCKSIDE
EXPORT LIMITED

- Standard Specification : ANSI / ASME B 18.2.1 1981
- Material : Medium Carbon Steel
- Mechanical Properties : ASTM
- Strength Grade : A325, A325M Type 1
- ScrewThreads : ANSI / ASME B 1.1 1982 UNC
- Class of Threads : Class 2 A
- Surface Finish : Black Oxide, Hot Dipped Galvanized



DIMENSION

Unit : mm

Nom. Size d x n in	d1		B		C		H			S	R
	Max.	Min.	Max.	Min.	Max.	Min.	Basic	Max.	Min.	Basic	
1/2 x 13	13.08	12.24	22.22	21.59	25.65	24.61	7.94	8.20	7.67	25.4	0.23 to 0.79
5/8 x 11	16.30	15.36	26.99	26.19	31.16	29.84	9.92	10.23	9.60	31.75	0.53 to 1.57
3/4 x 10	19.50	18.51	31.75	30.78	36.65	35.13	11.90	12.27	11.56	35.05	0.79 to 1.57
7/8 x 9	22.73	21.64	36.51	35.41	42.16	40.36	13.89	14.30	13.49	38.1	1.57 to 2.36
1 x 8	25.96	24.79	41.27	40.0	47.65	45.62	15.48	15.92	15.01	44.45	
1 1/8 x 7	29.18	27.89	46.03	44.60	53.16	50.85	17.46	18.24	16.71	50.8	
1 1/4 x 7	32.43	31.06	50.8	49.22	58.65	56.11	19.84	20.65	19.02	50.8	
1 3/8 x 6	35.66	34.16	55.56	53.82	64.16	61.36	21.43	22.3	20.57	57.15	
1 1/2 x 6	38.89	37.34	60.32	58.42	69.64	66.60	23.81	24.74	22.91	57.15	

PRODUCT RANGE

NOM SIZE d X p	Nominal length 1 mm																					
	1/2	3/4	1	1-1/4	1-1/2	2	2-1/2	3	3-1/2	4	4-1/2	5	5-1/2	6	6-1/2	7	8	9	10	11	12	
9/16																						
5/8																						
3/4																						
7/8																						
1																						
1-1/8																						
1-1/4																						
1-1/2																						

FULLY THREADED

STANDARD THREADED

While every care has been taken in the preparation of the information in this catalogue, the company accepts no liability for any loss or damage either direct or consequential arising out of use this catalogue. This compilation is for reference only, for detail refer relevant Original Standards Manuals.