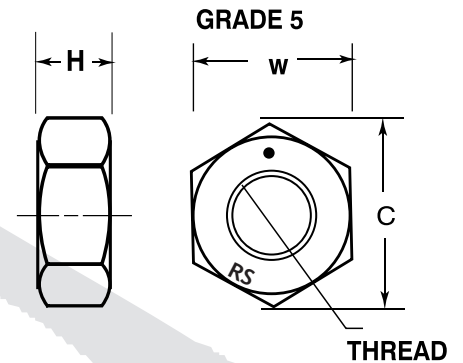




HEXAGON NUT - UNC / UNF

ROCKSIDE
EXPORT LIMITED

- Standard Specification** : Conforms to ANSI B18.2.2
(also generally Conform to BS 1786).
- Material** : Medium Carbon Steel
- Material Properties** : Conforms to SAE J995 Grade 5 or 8
(Nuts made to SAE Grade 5 and 8 also
Conforms to Grade 1 & 5 of BS 1768 respectively).
- Threads** : Conforms to Class 2B of ANSI B1.1 and BS 1580
for unified threads
- Surface Finish** : Black, Electro Galvanized,
Hot Dipped Galvanized.



DIMENSIONS :

Thread size	T. P. I.		W Max.	C Max.	H Nom.
	UNC	UNF			
1/4"	20	28	0.4375	0.505	0.219
5/16"	18	24	0.5000	0.577	0.266
3/8"	16	24	0.5625	0.650	0.328
7/16"	14	20	0.6875	0.794	0.375
1/2"	13	20	0.7500	0.866	0.437
5/8"	11	18	0.9375	1.083	0.547
3/4"	10	16	1.1250	1.300	0.641
7/8"	9	14	1.3125	1.515	0.750
1"	8	12	1.5000	1.732	0.859
1 1/8"	7	12	1.7000	1.910	1.000
1 1/4"	7	12	1.8500	2.100	1.100
1 1/2"	6	12	2.2000	2.530	1.290