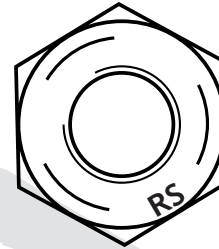




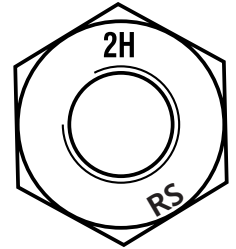
HEAVY HEXAGON NUTS FOR A325 & A490 BOLTS

**ROCKSIDE
EXPORT LIMITED**

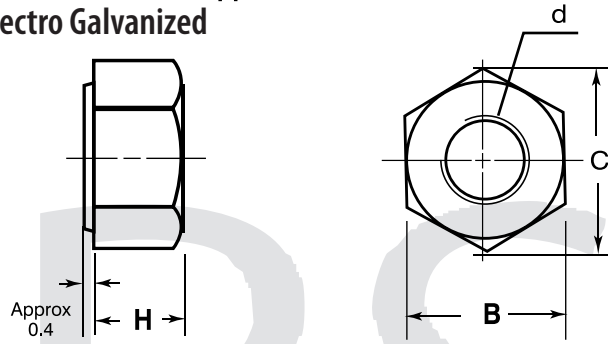
Standard Specification : ANSI / ASME B 18.2.2 1986
Material : Medium Carbon Steel
Material Properties : ASTM A 563 | A 194
Strength Grade : C DH | 2H
Screw Threads : ANSI / ASME B. 1.1 1982 UNC
Class of Threads : Class 2 B
Surface Treatment : Black Oxide, Hot Dipped Galvanized
 Electro Galvanized



GRADE A563



GRADE A194 2H



DIMENSIONS:

Nom. Size d x n in.	B		C		H		
	Max.	Min.	Max.	Min.	Basic	Max.	Min.
1/2 x 13	22.22	21.59	25.65	24.61	12.3	12.8	11.78
5/8 x 11	26.98	26.19	31.16	29.84	15.47	16.02	14.91
3/4 x 10	31.75	30.78	36.65	35.10	18.65	19.25	18.03
7/8 x 9	36.51	35.41	42.16	40.36	21.82	22.47	21.16
1 x 8	41.27	40.0	47.65	45.62	25.0	25.7	24.28
1 1/8 x 7	46.03	44.60	53.16	50.85	28.17	28.93	27.41
1 1/4 x 7	50.8	49.22	58.65	56.11	30.95	31.77	30.15
1 1/2 x 6	59.4	58.7	67.9	67.4	37.00	37.50	36.50

While every care has been taken in the preparation of the information in this catalogue, the company accepts no liability for any loss or damage either direct or consequential arising out of use this catalogue. This compilation is for reference only, for detail refer relevant Original Standards Manuals.