



A193 / A194 STUD BOLTING

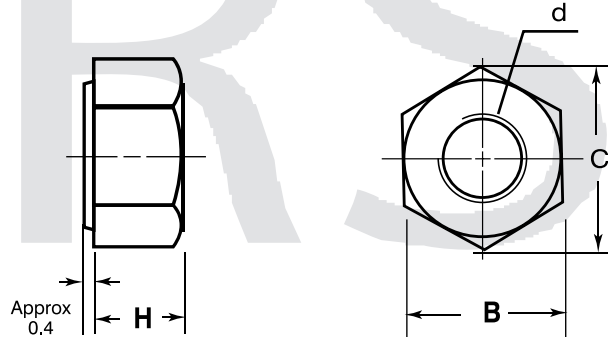
ROCKSIDE
EXPORT LIMITED

Standard Specification : Stud - ASTM A193 Gr B7, B7M, B8, B8M
Nut - ASTM A194 Gr 2H, 2HM, 8, 8M

Material : Alloy Steel
Strength Grade : Above class 8.8
Surface Finish : Plain, Electro Galvanized
Hot Dipped Galvanized
PTFE Coated.

MATERIAL SPECIFICATION OF HIGH PRESSURE TEMPERATURE BOLTING

Grade	Material	Min Tempering Temperature F (C)	Tensile strength (Min.)	Yield strength (Min.)	Elongation % (Min.)	Reduction % (Min.)	Brinell Hrdness	Recommended Bolting Temperature Range	
								Min. C	Max. C
ASTM A193 Gr. B7	ASTM 4140, 4142,4145	1,100(593 C)	125,000 psi	105,000 psi	16	50		-100	400
ASTM A193 Gr. B7M	ASTM 4140, 4142,4145	1,150(620 C)	100,000 psi	80,000 psi	18	50	235 Max.	-100	400
ASTM A193 Gr. B16	Cr-Mo-Vanadium	1,200(650 C)	125,000 psi	105,000 psi	18	50		0	520
ASTM A193 Gr. B8	AISI 304	Carbide Solution Treated	75,000 psi	30,000 psi	30	50	223 Max.	-250	575
ASTM A193 Gr. B8M	AISI 316	Carbide Solution Treated	75,000 psi	30,000 psi	30	50	223 Mx.	-250	600



DIMENSION FOR HEAVY HAXAGON NUTS ASTM A194 Gr 2H, 2HM, 8, 8M

Nom. Size d x n in.	B		C		H		
	Basic	Min.	Max.	Min.	Basic	Max.	Min.
1/2 x 13	22.22	21.59	25.65	24.61	12.3	12.8	11.78
5/8 x 11	26.98	26.19	31.16	29.84	15.47	16.02	14.91
3/4 x 10	31.75	30.78	36.65	35.10	18.65	19.25	18.03
7/8 x 9	36.51	35.41	42.16	40.36	21.82	22.47	21.16
1 x 8	41.27	40.0	47.65	45.62	25.00	25.70	24.28
1 1/8 x 8	46.03	44.60	53.16	50.85	28.17	28.93	27.41
1 1/4 x 8	50.8	49.22	58.65	56.11	30.95	31.77	30.15
1 1/2 x 8	59.4	58.70	67.90	67.40	37.00	37.50	36.50

While every care has been taken in the preparation of the information in this catalogue, the company accepts no liability for any loss or damage either direct or consequential arising out of use this catalogue. This compilation is for reference only, for detail refer relevant Original Standards Manuals.